

SATO GO 625

Our entry-level Sato GO 625 is an easy light to use if you are new to NORDIC LIGHTS® products. It has one maximum operational lumens output and two light pattern options: flood and wide flood. Best suited to construction, forestry, and agriculture, the Sato GO 625 has an oval form factor and pedestal mounting, it produces zero emissions (EMC CISPR 25 class 5) and its light output is 2300 lumens.



Not all products are available in all markets. During continuous improvement specifications and design are changing. All values are nominal values. Illustrations do not necessarily show the design of every version and some features are version specific. The lumens output varies depending on lens colour.

TECHNICAL DATA

Theoretical Lumens Output	3600 lm	Vibration	8Grms 24-2000Hz
Operational Lumens Output	2300 lm	Lens	Grilamid® (registered trademark of EMS-GRIVORY)
Colour Temperature	5000 K	Body / Housing	Aluminium
Nominal Voltage DC	12 - 24 V	Weight	0.8 kg
Input Voltage DC	9 - 16 V 18 - 32 V	IP Rating	IP68, IP6K9K
Power Consumption	39 W	Salt Spray Test	ISO 9227 240H
Nominal Current at	24V=1.40A, 12V=2.50A	EMC	CISPR 25 Class 5, EN12895, ISO 13766, ISO 14982, ISO 7637-2
Connector	Built-in Deutsch DT-2 (2-pin)	Operating Temperatures	-40°C... +85°C (Overheat protected)
Mount	Single Bolt M8	Electronics	Isolated
Shock	60G	Part Numbers	Wide Flood: 988-303B, Flood: 988-302B

CONNECTORS



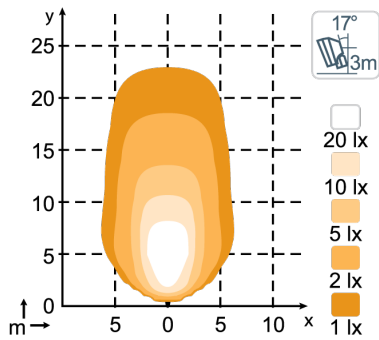
Built-in Deutsch DT-2 (2-pin)

KEY FEATURES

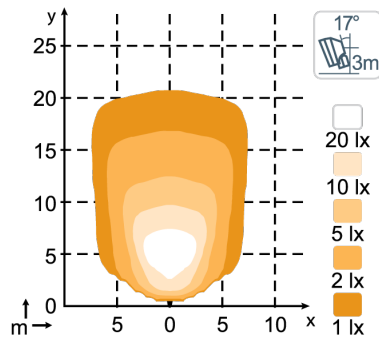
- Dimmable & Cost-effective all-rounder
- Operational lumens output: 2300lm
- Pure performance in a compact design

LIGHT PATTERNS

**Sato GO 625, 2300lm
Flood**



**Sato GO 625, 2300lm
Wide Flood**



DRAWINGS

