

SCULPTOR 2

KEY FEATURES

Maximize safety and productivity with Sculptor 2

ALL-IN-ONE - Combines five functions into one combination LED headlight; daytime running light (DRL), position light, direction indicator, low beam, high beam.

EXPERTLY DESIGNED OPTICS - Excellent near-field illumination thanks to the superbly designed low beam. See what's up close - obstacles, people, other vehicles and the road ahead.

MAXIMUM VISIBILITY - Integrated DRL offers maximum daytime visibility and safety for your vehicle on and off the road.



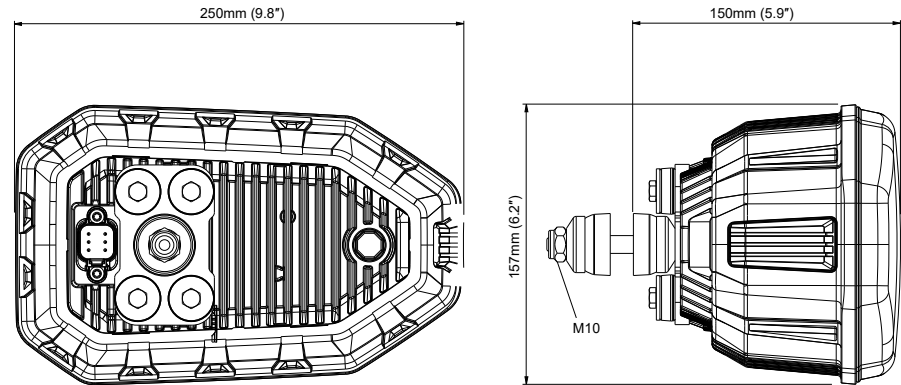


TECHNICAL SPECIFICATIONS

SCULPTOR 2

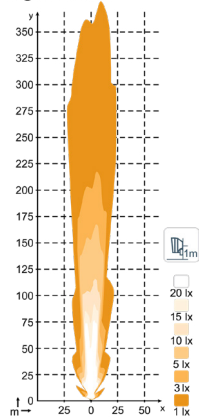
Color Temperature:	5700K
Nominal / Input Voltage DC:	12–24V / 9–32V
Power Consumption: 12 / 24V	High Beam 57.5W, Low Beam 38.5W, Park 4.0W, DRL 17.5W, Direction Indicator 21W
Nominal Current: 12 / 24V	High Beam 2.4A@ 24V / 4.8A@12V, Low Beam 1.6@24V / 3.2A@12V Park 0.15A@24V / 0.3A@12V, DRL 0.6A@24V / 1.2A@12V Direction Indicator 0.88A@24V / 1.75A@12V
Mount:	Single Bolt M10
Connector:	Built-in Deutsch DT-6 (6-pin)
EMC:	CISPR 25 Class 5, ISO 13766, ISO 14982, ISO 11452, ISO 7637-2, ISO 10605, ISO 16750, EN 61000-4-2
Shock:	N/A
Vibration:	9.8Grms 24–2000Hz
Lens:	Glass
Body:	Aluminum, Polyamid
IP Rating:	IP68, IP6K9K
Weight:	2.5 kg
Salt mist:	ISO 9227 240 h
Operating Temperatures:	-40°C... +85°C (Overheat protected)

DRAWINGS

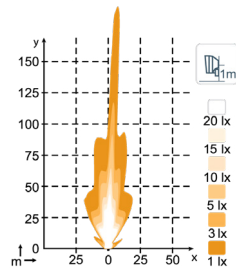


LIGHT PATTERNS

**Sculptor 2
High Beam RHT**



**Sculptor 2
Low Beam RHT**



ECE APPROVALS

Passing beam:

ECE R149 (Class B)

Driving beam:

ECE R149 (Class B)

Position light:

ECE R148 (Symbol A)

DRL:

ECE R148 (Symbol RL)

Direction indicator:

ECE R148 [Symbol 1B (front) & symbol 5 (side)]